



**Features**

**Applications**

With a smooth loading mechanism, the device is compatible with both iVDR™ and iVDR™ mini.

- ▶ Compatible with iVDR™ & iVDR™ mini.
- ▶ Media unloading mechanism prevents operator mis-insertion.
- ▶ Automatic front door opening/closing synchronized with media loading/unloading operation.

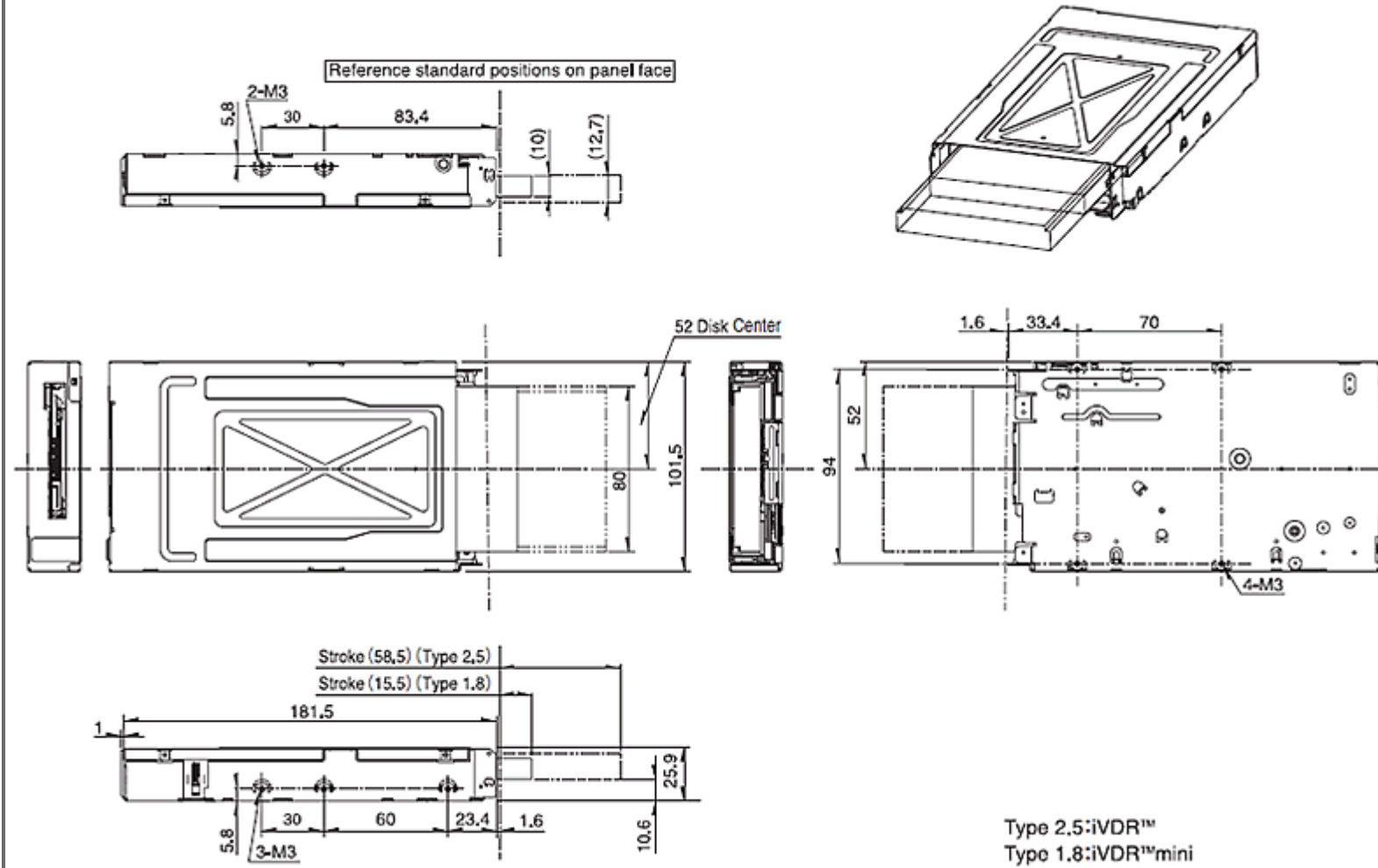
- ▶ PCs, DVD players/recorders, flat panel TVs, home servers, RAID (Redundant Array of Independent Disks) systems, and broadcast equipments

Typical Specifications

[» PDF for print](#)

| Items                       |                                      | Specifications   |
|-----------------------------|--------------------------------------|------------------|
| Rated voltage               | For drive of loader                  | 12V              |
|                             | For loader control microcomputer use | 5V               |
| Operation life              |                                      | 10,000 cycles    |
| Operation temperature range |                                      | +5 to +40°C      |
| Attitude                    |                                      | Horizontal style |
|                             |                                      | Vertical style   |

Without a panel lid type



Note

1. This site catalog shows only outline specifications. When using the products, please obtain formal specifications for supply.