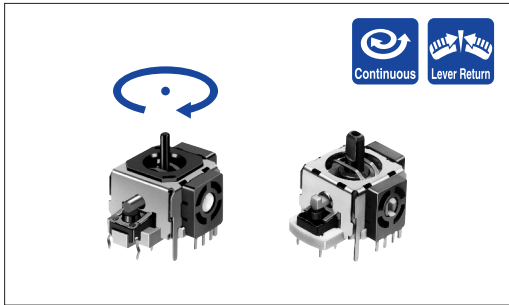


# Multi Control Device Stick Controller

## RKJXK/RKJXP Series



Compact size, standard type. Also available with lever return mechanism.



Multi Control  
Devices

### Typical Specifications (Potentiometer)

| Items                     | RKJXK  | RKJXP           |
|---------------------------|--|-----------------|
| Rated power               | 0.0125W  |                 |
| Maximum operating voltage | 50V AC, 5V DC  |                 |
| Operating force           | 8mN·m max. (Not lever reset)<br>6±4mN·m (Lever reset type) | 17±10mN·m       |
| Operating life            | 100,000cycles  | 2,000,000cycles |

### Typical Specifications (Center Push)

| Characteristics | RKJXK                                  | RKJXP                                 |
|-----------------|--|---------------------------------------|
| Ratings (max.)  | 50mA 12V DC                            |                                       |
| Operating force | 5.2±2.6N                               | 6.4 <sup>+3.4</sup> <sub>-2.6</sub> N |
| Travel          | 0.5 <sup>+0.5</sup> <sub>-0.4</sub> mm |                                       |
| Operating life  | 100,000cycles                          | 1,000,000cycles                       |

Variable  
Resistor Type

Switch  
Type

### Product Line

| Lever return mechanism | Center-push | Total resistance (kΩ) | Resistance taper | Minimum order unit (pcs.) | Product No.  | Drawing No.  |
|------------------------|-------------|-----------------------|------------------|---------------------------|--------------|--------------|
| Without                | Without     | 10                    | B (0B)           | 1,000                     | RKJXK1210002 | 1            |
| With                   |             |                       |                  |                           | RKJXK122000D |              |
|                        | With        |                       |                  | RKJXK122400Y              | 2            |              |
|                        |             |                       |                  |                           | 1,400        | RKJXP1224002 |

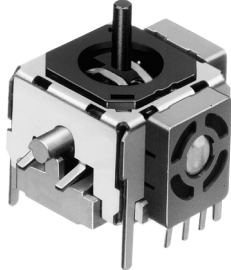
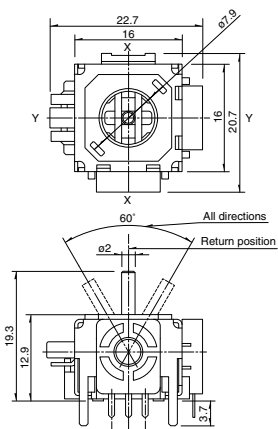
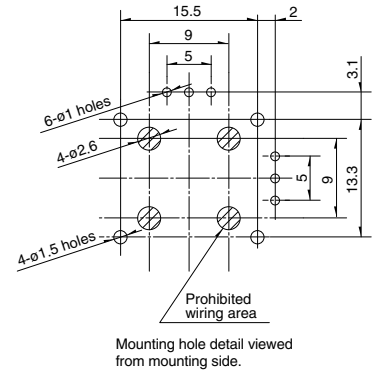
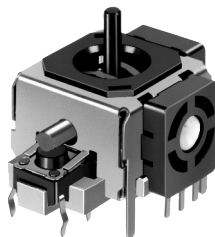
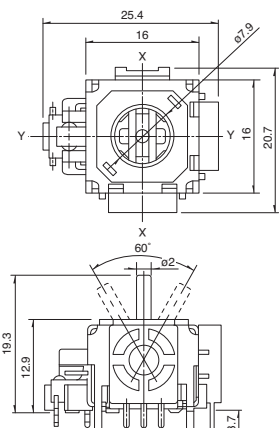
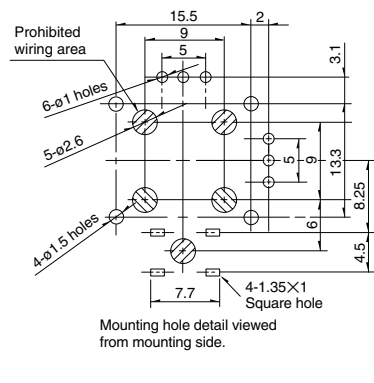
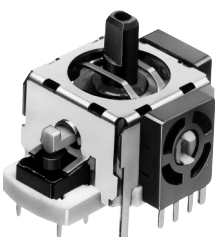
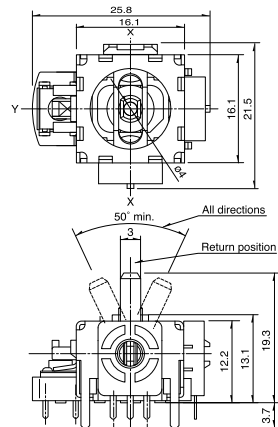
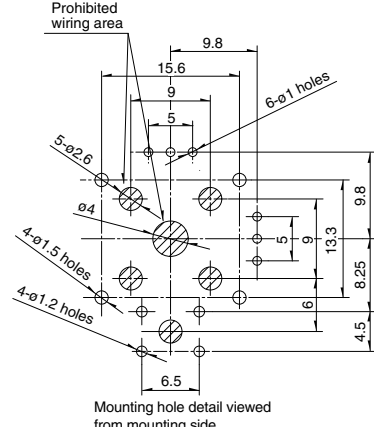
### Packing Specifications

#### Tray

| Products No. | Number of packages (pcs.) |                        | Export package measurements (mm) |
|--------------|---------------------------|------------------------|----------------------------------|
|              | 1 case /Japan             | 1 case /export packing |                                  |
| RKJXK        | 500                       | 1000                   | 373×540×225                      |
| RKJXP        | 700                       | 1400                   | 363×513×241                      |

Dimensions

Unit:mm





| No. | Photo  | Style   | PC board mounting hole dimensions<br>(Viewed from mounting side)   |
|-----|--|---|--|
| 1   | <p>RKJXK1210<br/>RKJXK1220</p>  |    |  <p>Mounting hole detail viewed from mounting side.</p>   |
| 2   | <p>RKJXK1224</p>               |   |  <p>Mounting hole detail viewed from mounting side.</p>  |
| 3   | <p>RKJXP1224</p>              |  |  <p>Mounting hole detail viewed from mounting side.</p> |

Multi Control  
Devices

Variable  
Resistor Type

Switch  
Type

## List of Varieties

| Items                                 |   | Series   | Variable resistor type  |   |
|---------------------------------------|---|--|---|---|
|                                       |   |  | RKJXK   | RKJXP   |
| Photo                                 |   |  |  |  |
| Function                              |   |  |  |  |
| Dimensions<br>(typical value)<br>(mm) | W   |  | 20.7  | 20.8  |
|                                       | D   |  | 25.4  | 25.8  |
|                                       | H   |  | 12.9  | 12.2  |
| Outlined<br>specifica-tions           | Number of<br>operating shafts                     | Single-shaft   |   |   |
|                                       | Shaft material                                    | Metal  | Resin   |   |
|                                       | Directional resolution                            | Continuous   |   |   |
|                                       | Directional operating feeling<br>(tactic feeling) | Without  |   |   |
|                                       | Directional<br>operating force                    | 8mN·m max. Without Lever return type<br>6±4mN·m Lever reset type |   | 17±10mN·m   |
|                                       | Center-push switch                                | With/Without   |   | With  |
|                                       | Encoder   | Without  |   |   |
| Operating temperature range           |   | -10°C to +70°C   |   |   |
| Automotive use                        |   | _____  |   |   |
| Electrical<br>performance             | Directional resolution                            | Continuous   |   |   |
|                                       | Insulation resistance                             | 100MΩ min. 250V DC   |   |   |
|                                       | Voltage proof                                     | 250V AC for 1minute  |   |   |
| Mechanical<br>performance             | Push operating force                              | 5.2±2.6N   | 6.4 <sup>+3.4</sup> <sub>-2.6</sub> N   |   |
| Slider noise                          |   | 300mV max. by JIS method   |   |   |
| Lever stopper strength                |   | 0.3N·m   | _____   |   |
| Lever play                            |   | 5° max.  |   |   |
| Lever strength                        |   | 50N min. (Push/Pull)   | 98N min. (Push)<br>50N min. (Pull)  |   |
| Environmental<br>performance          | Cold  | -30±2°C for 96h  |   |   |
|                                       | Dry heat  | 80±2°C for 96h   |   |   |
|                                       | Damp heat   | 60±2°C, 90 to 95%RH for 96h                                      |   |   |
| Soldering                             | Manual soldering                                  | 300°C max. 3s max.   |   |   |
|                                       | Dip soldering                                     | 260±5°C, 5±1s  |   |   |
|                                       | Manual soldering                                  | _____  |   |   |
| Page                                  |   | 475  |   |   |

Multi Control  
DevicesVariable  
Resistor TypeSwitch  
Type

● Variable Resistor Type Multi Control Devices Caution .....477

**Note**

For export packing, please contact us .