

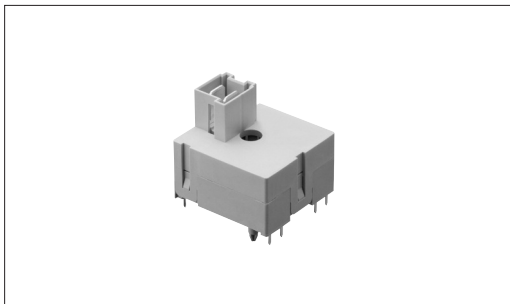
Power Switch Rotary Type with Encoder

SDKZ Series



Rotary type power switch with encoder.

- Detector
- Push
- Slide
- Rotary
- Encoders
- Power**



Ratings and Safety Standards

Items	Specifications
Max rating	16(6)A 250V AC 14(6)A 250V AC
Max rating (Encoder)	0.1A 12V DC
Contact resistance (Encoder) initial/after life test	1Ω max./1Ω max.
Operating (Power)	10,000cycles
Operating life (Encoder)	30,000cycles

- Dual-in-line
Package Type
- TACT Switch™
- Custom-
Products

Product Line

Circuit arrangement	Torque		Operating direction	Positions	Mounting method	Terminal Configuration	Minimum order unit (pcs.)	Product No.	Drawing No.
	From "OFF" position on to "ON" position	Other positions							
DPST	14±3N	10±3N	Vertical	15	PC board	Straight	288	SDKZ1F0200	1
	12±3N	6±3N		16				SDKZ1G0200	
	14±3N	7.5±3N		19				SDKZ1K0200	2
		10±3N		21				SDKZ1M0200	
		7.5±3N		24				SDKZ1Q0200	
		10±3N		25				SDKZ1R0200	

- Push Type
- Rocker Type
- Slide Type
- Rotary Type**

Packing Specifications

Bulk

Number of packages (pcs.)		Export package measurements (mm)
1 case /Japan	1 case /export packing	
288	288	403×270×290

Note

Please place purchase orders per minimum order unit N (integer).

Dimensions

Unit:mm

No.	Style
1	
	<p>PC board mounting hole dimensions</p>
2	
	<p>PC board mounting hole dimensions</p>

Detector

Push

Slide

Rotary

Encoders

Power

Dual-in-line
 Package Type

TACT Switch™

Custom-
 Products

Push
 Type

Rocker
 Type

Slide
 Type

**Rotary
 Type**

Standard Code

SDKZ1F0200

Unit:mm

Detector

Push

Slide

Rotary

Circuit Diagram(Power Switch)

CODE		1	2	3	4	5	6	7	8	9	10	11	12	13	14	15
POS	TERM															
Power contacts1-2		○	○	○	○	○	○	○	○	○	○	○	○	○	○	○
Condification contact3		○	○	○	○	○			○							○
Condification contact4		○	○											○	○	○
Condification contact5		○	○	○						○	○					
Condification contact6		○			○	○						○	○			○

Encoders

Power

Dual-in-line
Package Type

TACT Switch™

Custom-
Products

SDKZ1G0200

Circuit Diagram(Power Switch)

CODE		1	2	3	4	5	6	7	8	9	10	11	12	13	14	15	16
POS	TERM																
Power contacts1-2		○	○	○	○	○	○	○	○	○	○	○	○	○	○	○	○
Condification contact3		○	○	○	○	○					○				○		○
Condification contact4		○	○	○	○	○	○										○
Condification contact5		○	○	○											○	○	○
Condification contact6		○	○										○	○	○		

Push
Type

Rocker
Type

Slide
Type

Rotary
Type

SDKZ1K0200

Circuit Diagram(Power Switch)

CODE		1	2	3	4	5	6	7	8	9	10	11	12	13	14	15	16	17	18	19	20	21	22	23	24
POS	TERM																								
Power contacts1-2		○	○	○	○	○	○	○	○	○	○	○	○	○	○	○	○	○	○	○	○	○	○	○	○
Condification contact3		○		○	○	○	○							○	○				○	○			○	○	○
Condification contact4		○	○	○	○	○	○	○														○	○	○	○
Condification contact5		○	○	○																		○	○	○	○
Condification contact6		○	○	○																		○	○	○	○
Condification contact7		○			○	○							○	○								○	○		

SDKZ1M0200

Circuit Diagram(Power Switch)

CODE		1	2	3	4	5	6	7	8	9	10	11	12	13	14	15	16	17	18	19	20	21		
POS	TERM																							
Power contacts1-2		○	○	○	○	○	○	○	○	○	○	○	○	○	○	○	○	○	○	○	○	○		
Condification contact3		○	○																		○	○	○	○
Condification contact4		○	○	○	○	○	○	○														○	○	○
Condification contact5		○	○	○																		○	○	○
Condification contact6		○	○	○																		○	○	○
Condification contact7		○			○	○						○	○									○	○	○

SDKZ1Q0200

Circuit Diagram(Power Switch)





CODE		1	2	3	4	5	6	7	8	9	10	11	12	13	14	15	16	17	18	19	20	21	22	23	24
POS	TERM																								
Power contacts1-2		○	○	○	○	○	○	○	○	○	○	○	○	○	○	○	○	○	○	○	○	○	○	○	○
Condification contact3		○		○	○	○	○								○	○				○	○			○	○
Condification contact4		○	○	○	○	○	○	○															○	○	○
Condification contact5		○	○	○																			○	○	○
Condification contact6		○	○	○																			○	○	○
Condification contact7		○			○	○							○	○									○	○	○

SDKZ1R0200

Circuit Diagram(Power Switch)

CODE		1	2	3	4	5	6	7	8	9	10	11	12	13	14	15	16	17	18	19	20	21	22	23	24	25
POS	TERM																									
Power contacts1-2		○	○	○	○	○	○	○	○	○	○	○	○	○	○	○	○	○	○	○	○	○	○	○	○	○
Condification contact3		○	○	○	○	○									○											
Condification contact4		○	○																							
Condification contact5		○																								
Condification contact6		○	○	○	○	○																				
Condification contact7		○	○																							

List of Varieties

Items	Type	Rocker	Slide		Rotary	
	Series	SDDJF 1A	SDKP	SDKT	SDKZ	
Photo						
Travel (mm)		4.6	6	2.2	Full rotation	
Remark					With signal circuit	
Operating temperature range		-10°C to +55°C	-10°C to +60°C		-10°C to +70°C	
Automotive use		○	—	—	—	
Rating		8A / 128A 250V~ 10(6) / 250~	5A 250V AC	6A 125V AC	PS:16(6)A 250V AC, 14(6)A 250V AC DC:0.1A 12V DC	
Electrical performance	Contact resistance	100mΩ max.		10mΩ max.	100mΩ max. 1Ω max.	
	Insulation resistance	500MΩ min. 500V DC		1,000MΩ min. 500V DC	500MΩ min. 500V DC 100MΩ min. 100V DC	
	Voltage proof	2,000V AC for 1minute		1,000V AC for 1minute	2,000V AC for 1minute 100V AC for 1minute	
Mechanical performance	Terminal strength	50N for 1minute	10N for 1minute		20N 5N	
	Actuator strength	Operating direction	25N	50N	30N	—
		Perpendicular direction	25N	—	10N	30N
	Resistance to soldering heat	Manual soldering	350±10°C, 3 ⁺¹ s	350±10°C, 3±0.5s		350±10°C, 3 ⁺¹ s
Dip soldering		—	260±5°C, 10±1s			
Durability	Operating life	10,000cycles	100cycles	20,000cycles	10,000cycles 30,000cycles	
		Load : As ratings	Without load	Load : As ratings		
Environmental performance	Cold	-20±2°C for 96h			-40±2°C for 240h	
	Dry heat	85±2°C for 96h			85±2°C for 240h	
	Damp heat	40±2°C, 90 to 95%RH for 96h			40±2°C, 90 to 95%RH for 240h	
Page		258	259	260	261	

Detector

Push

Slide

Rotary

Encoders

Power

Dual-in-line
Package Type

TACT Switch™

Custom-
Products

Push
Type

Rocker
Type

Slide
Type

Rotary
Type

Note

○marks in "Available for automotive use" indicate that some of the series products can work at the operating temperature range from -40°C to +85°C.