

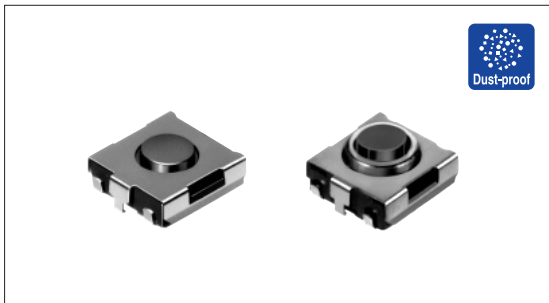
TACT Switch™ 6.2×6.3mm (Surface Mount Type)

SKHU Series



A wide variation of products including dust-proof type.

- Detector
- Push
- Slide
- Rotary
- Encoders
- Power



Product Line

Vertical Type

Product No.	Operating force	Operating direction	Travel (mm)	Rating (max.)	Rating (min.)	Operating life (5mA 5V DC)	Initial contact resistance	Stem color	Stem height	Minimum order unit (pcs.)	Drawing No.
SKHUAKE010	0.98N	Vertical	0.25	50mA 12V DC	10μA 1V DC	300,000cycles	100mΩ max.	Green	2.5mm	3,000	1
SKHUALE010	1.57N							Black			
SKHUAME010	2.55N					Red					

With Ground Terminal Type

Product No.	Operating force	Operating direction	Travel (mm)	Rating (max.)	Rating (min.)	Operating life (5mA 5V DC)	Initial contact resistance	Stem color	Stem height	Minimum order unit (pcs.)	Drawing No.
SKHUPKE010	0.98N	Vertical	0.25	50mA 12V DC	10μA 1V DC	300,000cycles	100mΩ max.	Green	2.5mm	3,000	2
SKHUPLE010	1.57N							Black			
SKHUPME010	2.55N					Red					

Dust-proof Type

Product No.	Operating force	Operating direction	Travel (mm)	Rating (max.)	Rating (min.)	Operating life (5mA 5V DC)	Initial contact resistance	Stem color	Stem height	Minimum order unit (pcs.)	Drawing No.
SKHUBHE010	1.57N	Vertical	0.25	50mA 12V DC	10μA 1V DC	50,000cycles	100mΩ max.	Brown	3.1mm	3,000	3

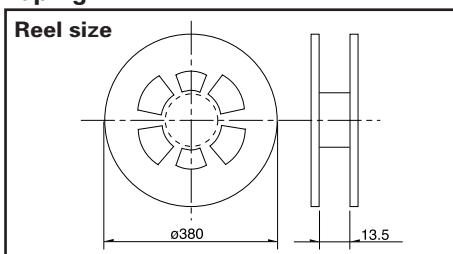
Dust-proof and with Ground Terminal Type

Product No.	Operating force	Operating direction	Travel (mm)	Rating (max.)	Rating (min.)	Operating life (5mA 5V DC)	Initial contact resistance	Stem color	Stem height	Minimum order unit (pcs.)	Drawing No.
SKHUQHE010	1.57N	Vertical	0.25	50mA 12V DC	10μA 1V DC	50,000cycles	100mΩ max.	Brown	3.1mm	3,000	4
SKHUQGE010	2.55N							Red			

Packing Specifications

Taping

Unit:mm



Number of packages (pcs.)			Tape width (mm)	Export package measurements (mm)
1 reel	1 case /Japan	1 case /export packing		
3,000	30,000	30,000	12	401×401×214

Notes

1. Please place purchase orders per minimum order unit N (integer).
2. For φ 330mm diameter reel requirements, please contact us.

- Sharp Feeling
- Soft Feeling
- Snap-in Type
- Surface Mount Type
- Radial Type



■ Dimensions

Unit:mm

No.	Photo	Style	PC board land dimensions (Viewed from switch mounting face)
1			
2			
3			
4			

■ Circuit Diagram

Vertical type	With ground terminal type

Detector

Push

Slide

Rotary

Encoders

Power

Dual-in-line
Package Type

TACT Switch™

Custom-
Products

Sharp
Feeling

Soft
Feeling

Snap-in
Type

Surface
Mount Type

Radial
Type



Automotive
Use

Refer to P.328 for soldering conditions.

List of Varieties

Sharp Feeling Type

Series	SKHU	SKSC	SKRE	SKRT	SKRV	SKRH	SKQU	SKRG	SKQK	SKQN	SKRC		
Detector	Photo												
Push	Type												
Slide	Surface mount							Radial					
Rotary	Features	Dust-proof type is available	Low-profile Horizontal type	Horizontal type	4-direction switch+push switch			Round terminal type	—	Round terminal Horizontal type	Water-proof		
Encoders	Operating direction	Vertical	—			●	●	●	●	●	—	●	
Power		Horizontal	—	●	●	●	—			●	—		
Dual-in-line Package Type	Dimensions (mm)	W	6.2	3.5	3.9	4.5	6.45	7.35	□10	φ6.2	□6.6	7.3	φ9
TACT Switch™		D	6.3	3.55			6.4	7.5				6.85	
Custom-Products		H	2.5	1.25	1.5	3.3	4	5	7.1	4.3	5	7.1	13
	Operation force coverage	1N	↕	↕	●	See the relevant pages for respective product descriptions			↕	↕	↕	↕	
		5N											
	Ground terminal	●	—		●	●	●	—					
Sharp Feeling	Operating temperature range	-30°C to +85°C	-20°C to +70°C SKRV/QK										
Soft Feeling			-30°C to +85°C										
Snap-in Type	Electrical performance	Insulation resistance	100MΩ min. 100V DC										
Surface Mount Type		Voltage proof	250V AC for 1min.	250V AC for 1min. SKSC/RE/RV/RH : 100V AC for 1min.									
Radial Type	Durability	Vibration	10 to 55 to 10Hz/min., the amplitude is 1.5mm for all the frequencies, in the 3 direction of X, Y and Z for 2hours respectively										
		Lifetime	Shall be in accordance with the individual specification.										
Environmental performance	Environmental performance	Cold	-30±2°C for 96h										
		Dry heat	80±2°C for 96h										
		Damp heat	60±2°C, 90 to 95%RH for 96h										
	Page	311	313	314	315	491	492	493	316	318	317	319	

W : Width. The total dimension excluding terminal portion.
 D : Depth. The total dimension excluding terminal portion.
 H : Height. The minimum dimension if there is difference in product variety.

- TACT Switch™ Soldering Conditions328
- TACT Switch™ Cautions329
- Product Line of Key cap for TACT Switch™330

Note

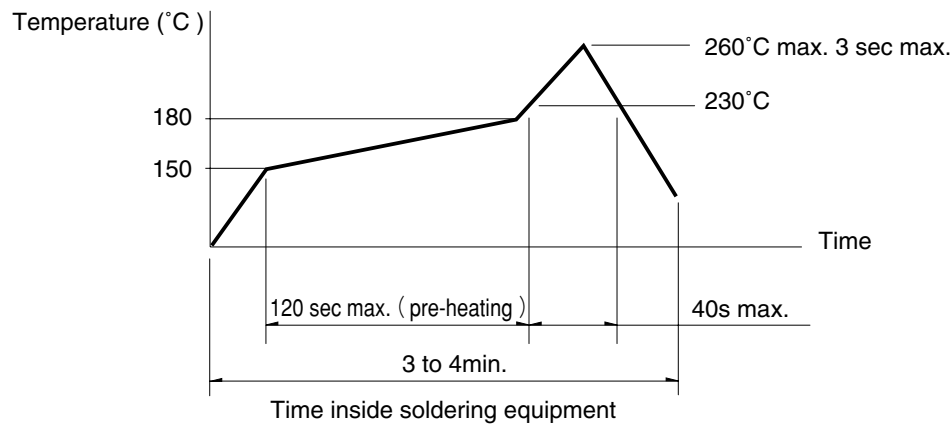
The automotive operating temperature range to be individually discussed upon request.

Soldering Conditions

Condition for Reflow

Available for Surface Mount Type.

1. Heating method: Double heating method with infrared heater.
2. Temperature measurement: Thermocouple 0.1 to 0.2 ϕ CA (K) or CC (T) at solder joints (copper foil surface). A heat resistive tape should be used to fix thermocouple.
3. Temperature profile



Notes

1. The above temperature shall be measured of the top of switch. There are cases where the PC board's temperature greatly differs from that of the switch, depending on the material, size, thickness of PC boards and others. The above-stated conditions shall also apply to switch surface temperatures.
2. Soldering conditions differ depending on reflow soldering machines. Prior verification of soldering condition is highly recommended.

Conditions for Auto-dip

Available for Snap-in Type and Radial Type
(Except SKHJ, SKHL, SKQJ, SKQK, SKEG series)

Items	Condition
Flux built-up	Mounting surface should not be exposed to flux
Preheating temperature	Ambient temperature of the soldered surface of PC board. 100°C max.
Preheating time	60s max.
Soldering temperature	260°C max.
Duration of immersion	5s max.
Number of soldering	2times max.

Notes

1. Consult with us for availability of TACT Switch™ washing.
2. Prevent flux penetration from the top side of the TACT Switch™.
3. Switch terminals and a PC board should not be coated with flux prior to soldering.
4. The second soldering should be done after the switch is stable with normal temperature.
5. Use the flux with a specific gravity of min 0.81.
(EC-19S-8 by TAMURA Corporation, or equivalents.)

Manual Soldering (Except SKRT Series)

Items	Condition
Soldering temperature	350°C max.
Duration of soldering	3s max.
Capacity of soldering iron	60W max.

Detector

Push

Slide

Rotary

Encoders

Power

Dual-in-line
Package Type

TACT Switch™

Custom-
ProductsSharp
FeelingSoft
FeelingSnap-in
TypeSurface
Mount TypeRadial
Type