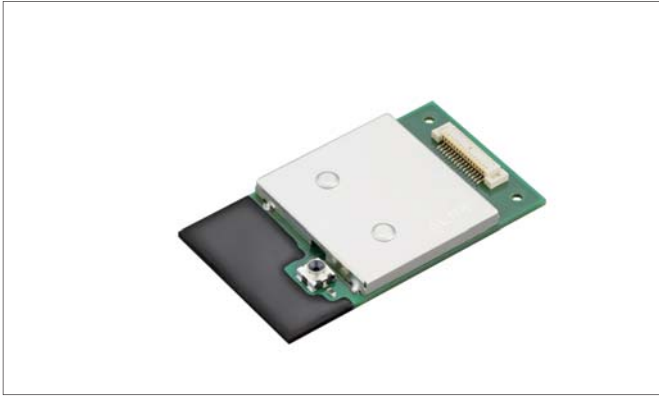


# Low-Power Consumption All-in-One WLAN Module

NEW  
2010

UGFZ1 Series

**Battery operated WiFi network adapter for sensor and none network equipment.**



### Features

- All-in-one type with antenna, wireless LAN and application processor.
- Enables single battery operation and low power consumption (5  $\mu$ A or less on standby).
- Autonomous operation without a host CPU is possible.
- Certified Japan Radio regulations.

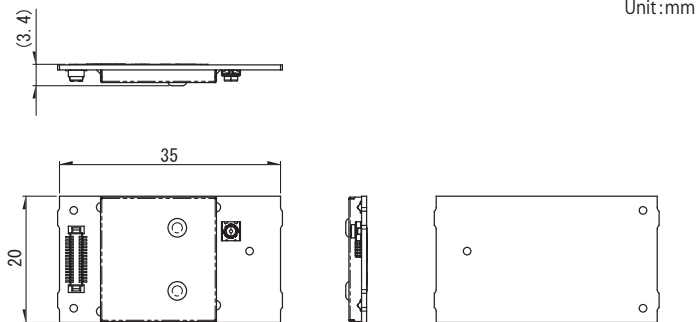
### Applications

- Smart meter and home appliance communication, factory air conditioning management, environmental management in plant factories, etc.
- Security sensor communication, disaster prevention management, home condition management, etc.
- Health care devices, medical instruments, real-time location information systems (logistics, and entry control systems), etc.

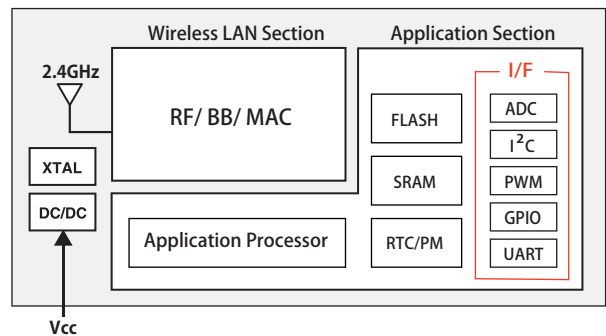
### Typical Specifications

Items	Specifications
Dimensions (W×D×H)	35×20×(3.4) mm
Standard	IEEE802.11b/g Compatible
I/O interface	ADC, I <sup>2</sup> C, PWM, GPIO
Host interface	UART
Frequency range	2412 ~ 2484 MHz
Drive voltage	+ 2.8 V to +3.6 V
Power consumption	Tx: 140 mA, Standby: 5 $\mu$ A
Output level	+9 dBm typ.
Transmit speed	11 Mbps max.
Security	WEP/ WPA/ WPA2 (TKIP/ AES)

### Dimensions



### Block Diagram



### Precautions when handling our products

1. For the export of products which are controlled items subject to foreign and domestic export laws and regulations, you must obtain approval and/or follow the formalities of such laws and regulations.
2. Products must not be used for military and/or antisocial purposes such as terrorism, and shall not be supplied to any party intending to use the products for such purposes.
3. Unless provided otherwise, the products have been designed and manufactured for application in equipment and devices which are sold to end-users in the market, such as AV (audio visual) equipment, home electronic equipment, office and commercial electronic equipment, information and communication equipment or amusement equipment. The products are not intended for use in, and must not be used for, any application of nuclear equipment, diving control equipment for aerospace or any other unauthorized use.  
With the exception of the above mentioned banned applications, for applications involving high levels of safety and liability such as medical equipment, burglar alarm equipment, disaster prevention equipment and undersea equipment, please contact an Alps sales representative and/or evaluate the total system on the applicability. Also, implement a fail-safe design, protection circuit, redundant circuit, malfunction protection and/or fire protection into the complete system for safety and reliability of the total system.
4. Before using products which were not specifically designed for use in automotive applications, please contact an Alps sales representative.

### Cautions for using this catalog

1. The specifications herein are an overview of the specifications. Obtain official specifications before use.
2. The colors of the products in the catalog may slightly differ from those of the actual products.
3. The external appearance, functions and other specifications herein may be changed for improvement and other reasons without prior notice. Furthermore, the products herein may discontinue without prior notice.
4. All product names, company names and names of standards described in this catalog are trademarks or registered trademarks of their respective owners.
5. The contents of this catalog are according to Alps Electric as of March 2010.
6. This catalog is valid until the end of December 2010.

### Inquiries about this product

Products Information Center  
+81 (3) 5499-8154  
Products Information Site  
<http://www.alps.com/products/e/>

**ALPS ELECTRIC CO., LTD.**  
1-7, Yukigaya-otsukamachi, Ota-ku, Tokyo, 145-8501, Japan